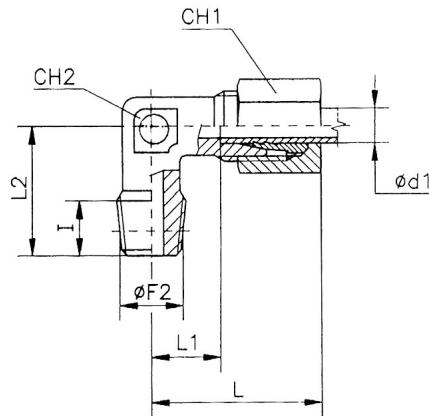


Material:

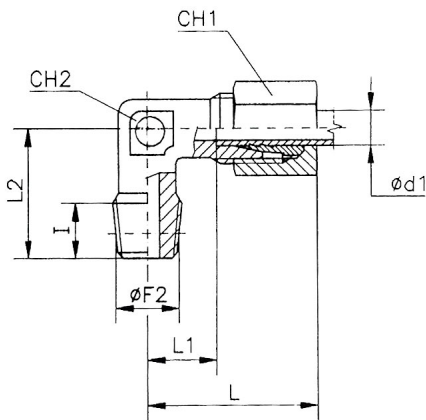
Galvanised steel (DIN 2353)



V 88

Male elbow, conical male thread acc. to ISO 7-1, very light type

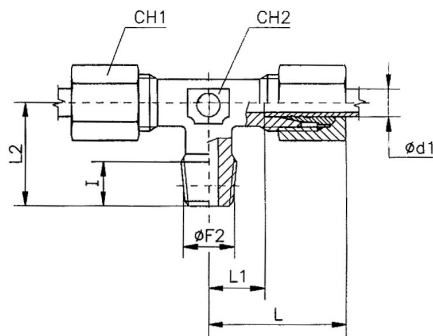
Art. No.	Type No.	Tube O.D.	PN	Thread Ø F2	I	L	L1	L2	CH1	CH2
112165	V 85	4	100	R 1/8	8.0	21.0	11.0	17.0	10	9
112166	V 86	5	100	R 1/8	8.0	21.0	9.5	17.0	12	9
112167	V 87	6	100	R 1/8	8.0	21.0	9.5	17.0	12	9
112168	V 88	8	100	R 1/8	8.0	23.0	11.5	20.0	14	12



V 93

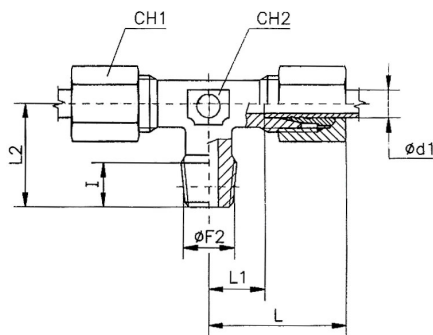
Male elbow, conical male thread acc. to ISO 7-1, light type

Art. No.	Type No.	Tube O.D.	PN	Thread $\phi F2$	I	L	L1	L2	CH1	CH2
112169	V 90	6	315	R 1/8	8.0	27.0	12.0	20.0	14	12
112171	V 92	6	315	R 1/4	12.0	29.0	14.0	26.0	14	12
112170	V 91	8	315	R 1/8	8.0	29.0	14.0	26.0	17	12
112172	V 93	8	315	R 1/4	12.0	29.0	14.0	26.0	17	12
112175	V 97	8	315	R 3/8	12.0	32.0	17.0	28.0	17	17
112173	V 94	10	315	R 1/4	12.0	30.0	15.0	27.0	19	14
112176	V 98	10	315	R 3/8	12.0	32.0	17.0	28.0	19	17
112179	V 101	10	315	R 1/2	14.0	36.0	21.0	34.0	19	19
112174	V 95	12	315	R 1/4	12.0	32.0	17.0	28.0	22	17
112177	V 99	12	315	R 3/8	12.0	32.0	17.0	28.0	22	17
112180	V 102	12	315	R 1/2	14.0	36.0	21.0	34.0	22	19
112178	V 100	15	315	R 3/8	12.0	36.0	21.0	34.0	27	19
112181	V 103	15	315	R 1/2	14.0	36.0	21.0	34.0	27	19
112182	V 104	18	315	R 1/2	14.0	40.0	23.5	36.0	32	24
118183	V 106	22	160	R 3/4	16.0	44.0	27.5	42.0	36	27


V 113

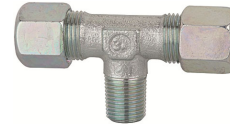
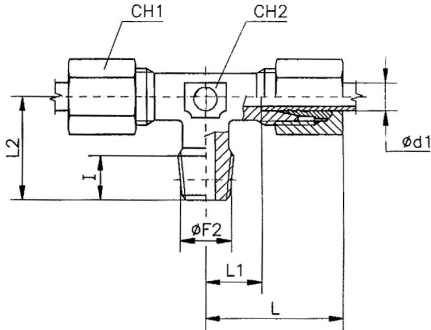
Male branch tee, conical male thread acc. ISO 7-1, very light type

Art. No.	Type No.	Tube O.D.	PN	Thread $\varnothing F2$	I	L	L1	L2	CH1	CH2
112184	V 110	4	100	R 1/8	8.0	21.0	11.0	17.0	10	9
112185	V 112	6	100	R 1/8	8.0	21.0	9.5	17.0	12	9
112186	V 113	8	100	R 1/8	8.0	23.0	11.5	20.0	14	12


V 117

Male branch tee, conical male thread acc. ISO 7-1, light type

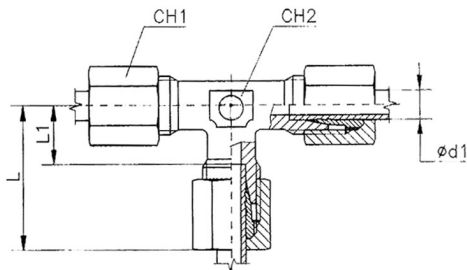
Art. No.	Type No.	Tube O.D.	PN	Thread $\varnothing F2$	I	L	L1	L2	CH1	CH2
112188	V 117	8	315	R 1/4	12.0	29.0	14.0	26.0	17	12
112189	V 118	10	315	R 1/4	12.0	30.0	15.0	27.0	19	14
112190	V 121	12	315	R 3/8	12.0	32.0	17.0	28.0	22	17
112191	V 125	15	315	R 1/2	14.0	36.0	21.0	34.0	27	19
112192	V 126	18	315	R 1/2	14.0	40.0	23.5	36.0	32	24
112193	V 127	22	160	R 3/4	16.0	44.0	27.5	42.0	36	27



V 116

Male branch tee, conical male thread acc. ISO 7-1, heavy type

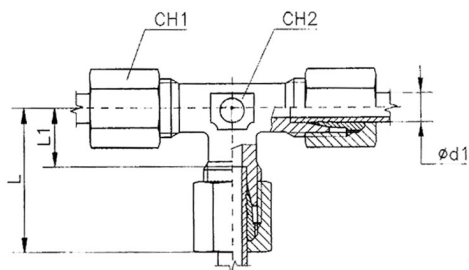
Art. No.	Type No.	Tube O.D.	PN	Thread Ø F2	I	L	L1	L2	CH1	CH2
112187	V 116	6	630	R 1/4	12.0	31.0	16.0	26.0	17	12



V 133

Branch tee, very light type

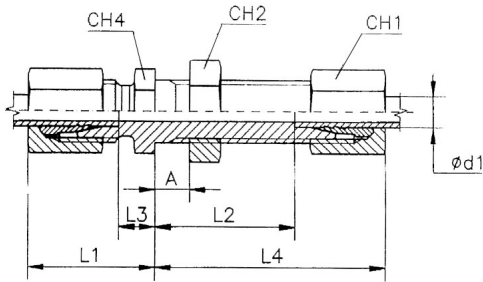
Art. No.	Type No.	Tube O.D.	PN	L	L1	CH1	CH2
112194	V 130	4	100	21,0	11,0	10	9
112195	V 131	5	100	21,0	9,5	12	9
112196	V 132	6	100	21,0	9,5	12	9
112197	V 133	8	100	23,0	11,5	14	12



V 136

Branch tee, light type

Art. No.	Type No.	Tube O.D.	PN	L	L1	CH1	CH2
112198	V 135	6	315	27,0	12,0	14	12
112199	V 136	8	315	29,0	14,0	17	12
112200	V 137	10	315	30,0	15,0	19	14
112201	V 138	12	315	32,0	17,0	22	17
112202	V 139	15	315	36,0	21,0	27	19
112203	V 140	18	315	40,0	23,5	32	24
112204	V 141	22	160	44,0	27,5	36	27

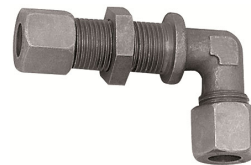
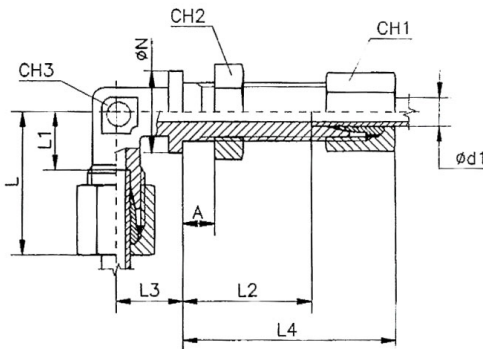


V 172

Bulkhead connector, light type

Art. No.	Type No.	Tube O.D.	PN	L1	L2	L3	L4	CH1	CH2*	CH4
112205	V 170	6	315	22.0	27.0	7.0	42.0	14	17	17
112206	V 171	8	315	23.0	27.0	8.0	42.0	17	19	19
112207	V 172	10	315	25.0	28.0	10.0	43.0	19	22	22
112208	V 173	12	315	25.0	29.0	10.0	44.0	22	24	24
112209	V 174	15	315	27.0	31.0	12.0	46.0	27	30	27
112210	V 175	18	315	30.0	32.5	13.5	49.0	32	36	32
112211	V 176	22	160	33.0	34.5	16.5	51.0	36	41	36

*Hexagonal wrench according to DIN 80705

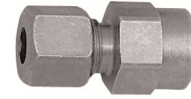
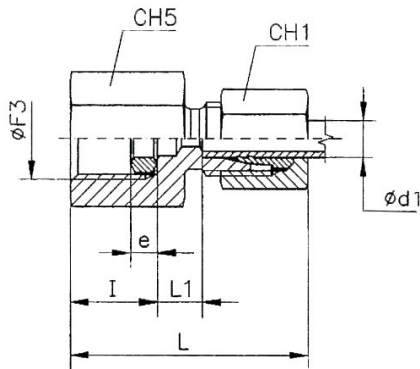


V 182

Bulkhead elbow connector, light type

Art. No.	Type No.	Tube O.D.	PN	L	L1	L2	L3	L4	$\varnothing N$	CH1	CH2*	CH3
112212	V 180	6	315	27.0	12.0	27.0	14.0	42.0	17.0	14	17	12
112213	V 181	8	315	29.0	14.0	27.0	17.0	42.0	19.0	17	19	12
112214	V 182	10	315	30.0	15.0	28.0	18.0	43.0	22.0	19	22	14
112215	V 183	12	315	32.0	17.0	29.0	20.0	44.0	24.0	22	24	17
112216	V 184	15	315	36.0	21.0	31.0	23.0	46.0	27.0	27	30	19

*Hexagonal wrench according to DIN 80705

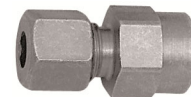
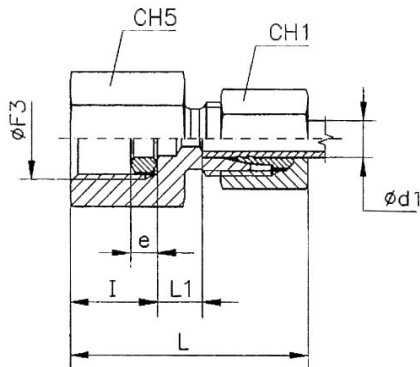


V 201

Pressure gauge fitting, parallel female thread, light type

Art. No.	Type No.	Tube O.D.	PN	Thread $\varnothing F3$	L	L1	CH1	CH5	e*	I
102633	V 200	6	315	G 1/4	37.0	7.5	14	19	4.5	14.5
102634	V 201	8	315	G 1/4	37.0	7.5	17	19	4.5	14.5
102635	V 202	10	315	G 1/4	38.0	8.5	19	19	4.5	14.5
102636	V 203	12	315	G 1/4	38.0	8.5	22	19	4.5	14.5

*Sealing ring with cutting line

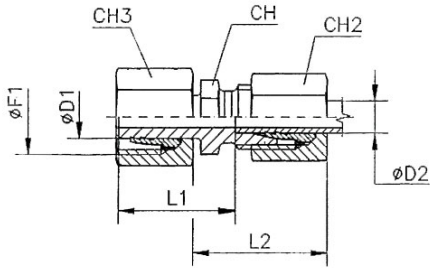


V 205

Pressure gauge fitting, parallel female thread, heavy type

Art. No.	Type No.	Tube O.D.	PN	Thread $\varnothing F3$	L	L1	CH1	CH5	e*	I
102637	V 205	6	630	G 1/2	46.0	11.0	17	27	5.0	20.0
102638	V 206	8	630	G 1/2	46.0	11.0	19	27	5.0	20.0
102639	V 207	10	630	G 1/2	47.0	10.5	22	27	5.0	20.0
102640	V 208	12	630	G 1/2	47.0	10.5	24	27	5.0	20.0

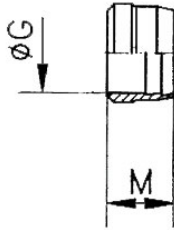
*Sealing ring with cutting line



V 212-VM

Reducer, light type

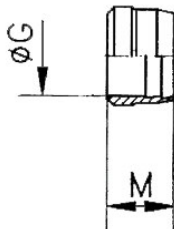
Art. No.	Type No.	$\phi D1$	$\phi D2$	PN	L1	L2	CH2	CH3	$\phi F1$	CH
112217	V 210-VM	8	6	315	29.5	30.0	14	17	14x1.5	14
112218	V 211-VM	10	6	315	29.5	30.0	14	19	16x1.5	14
112219	V 212-VM	10	8	315	29.5	30.0	17	19	16x1.5	17
112220	V 213-VM	12	6	315	29.5	30.0	14	22	18x1.5	14
112221	V 214-VM	12	8	315	29.5	30.0	17	22	18x1.5	17
112222	V 215-VM	12	10	315	31.0	31.0	19	22	18x1.5	17
112223	V 216-VM	15	6	315	29.5	29.0	14	27	22x1.5	17
112224	V 217-VM	15	8	315	29.5	29.0	17	27	22x1.5	17
112225	V 218-VM	15	10	315	31.0	30.0	19	27	22x1.5	17
112226	V 219-VM	15	12	315	31.0	30.0	22	27	22x1.5	19



V 353

Ferrule, very light type

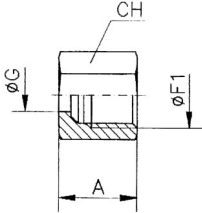
Art. No.	Type No.	Tube O.D.	PN	Ø F1	Ø G	A	M	CH
112227	V 350	4	100	8x1.0	4.0	11.0	6.0	10
112228	V 351	5	100	10x1.0	5.0	11.5	7.0	12
112229	V 352	6	100	10x1.0	6.0	11.5	7.0	12
112230	V 353	8	100	12x1.0	8.0	12.0	7.0	14



V 360

Ferrule, light type

Art. No.	Type No.	Tube O.D.	PN	Ø F1	Ø G	A	M	CH
112231	V 360	6	315	12x1.5	6.0	14.5	9.5	14
112232	V 361	8	315	14x1.5	8.0	14.5	9.5	17
112233	V 362	10	315	16x1.5	10.0	15.5	10.0	19
112234	V 363	12	315	18x1.5	12.0	15.5	10.0	22
112235	V 364	15	315	22x1.5	15.0	17.0	10.0	27
112236	V 365	18	315	26x1.5	18.0	18.0	10.5	32
112237	V 366	22	160	30x2.0	22.0	20.0	11.0	36

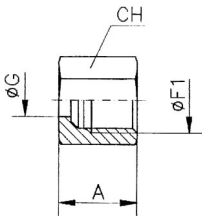


V 403

Swivel nut, very light type

Art. No.	Type No.	Tube O.D.	PN	Thread Ø F1	Ø G	A	M	CH
112238	V 400	4	100	M8x1.0	4.0	11.0	6.0	10
112239	V 401	5	100	M10x1.0	5.0	11.0	7.0	12
112240	V 402	6	100	M10x1.0	6.0	11.0	7.0	12
112241	V 403	8	100	M12x1.0	8.0	12.0	7.0	14

Construction dimensions are circa-dimensions at tightened swivel nuts.



V 405

Swivel nut, light type

Art. No.	Type No.	Tube O.D.	PN	Thread Ø F1	Ø G	A	M	CH
112242	V 405	6	315	M12x1.5	6.0	14.0	9.5	14
112243	V 406	8	315	M14x1.5	8.0	14.0	9.5	17
112244	V 407	10	315	M16x1.5	10.0	15.0	10.0	19
112245	V 408	12	315	M18x1.5	12.0	15.0	10.0	22
112246	V 409	15	315	M22x1.5	15.0	17.0	10.0	27
112247	V 410	18	315	M26x1.5	18.0	18.0	10.5	32
112248	V 411	22	160	M30x2.0	22.0	20.0	11.0	36

Construction dimensions are circa-dimensions at tightened swivel nuts.